

**NATIONAL  
RAILWAY  
SUPPLY, INC.**

Installing, Operating and  
Service Instructions for the  
12/60 Solid State Charger

---

## **MODEL ELC-12/60-D BATTERY CHARGER**

---

### **PLEASE SAVE THESE IMPORTANT SAFETY AND OPERATING INSTRUCTIONS**

For correct operation of the equipment, it is important to read and be familiar with this entire manual before installing and operating the charger.  
**DO NOT DISCARD THIS MANUAL AFTER READING.**



**LOOK FOR THIS SYMBOL TO POINT OUT SAFETY PRECAUTIONS. IT MEANS: BECOME ALERT—YOUR SAFETY IS INVOLVED. IF YOU DO NOT FOLLOW THESE SAFETY INSTRUCTIONS, INJURY OR PROPERTY DAMAGE CAN OCCUR.**

#### **1. IMPORTANT SAFETY INSTRUCTIONS**

- a. Before using the battery charger, read all the instructions and caution markings on the battery charger, the battery, and all of the products using the battery.
- b. Do not touch the uninsulated parts of the AC input or the DC wires, the charger's binding posts, or the battery terminals, as there is a possibility of electrical shock.
- c. Batteries produce hydrogen gas while operating, which can explode if ignited. Never smoke, use an open flame, or create sparks in the vicinity of the battery. Ventilate the area well when the battery is charging in an enclosed area.
- d. Batteries contain caustic material which
- f. De-energize all AC and DC power connections before servicing this unit. If injury does occur, apply standard treatment for electrical shock and, if necessary, consult with a physician.
- g. The charger is not for outdoor use. Do not expose the charger to rain or snow.
- h. Do not operate the charger if it has received a sharp blow, been dropped, or otherwise damaged.
- i. Do not disassemble the charger. Have the charger examined by a NATIONAL RAILWAY SUPPLY, INC. service agent. If the charger is assembled incorrectly, damage to the charger and the batteries or an electrical shock may result.

### 3. THEORY OF OPERATION

When the charger is connected to the desired AC voltage source (115 or 230), the transformer creates auxiliary voltages for the electronic control module. The electronic control module controls and monitors the charger so it will perform properly. The transformer also supplies the power output used for charging the batteries and provides electrical isolation between the charger's output and the AC source.

The charger's output current flows through a shunt and is sensed by the electronic control module along with the charger's output voltage. These values are converted into drive pulses for the SCRs by the control module. This pulsating charge current (a pulse occurs each time an SCR is on) is then filtered by a large capacitor and the batteries to provide a smooth output.

The charger has an "IE" profile which is: (a) High rate constant current, and (b) Constant voltage. When the charger is first started, the SCRs will conduct for a certain portion of the sinusoidal anode voltage to provide the required charging current at the low level of battery voltage. In this start region, a constant current is applied to the battery. The SCR conduction will then increase as the battery voltage increases in order to provide a higher output voltage while maintaining a constant charging current.

When the battery voltage reaches the float voltage, the SCRs will start to decrease their output. This causes the charger to automatically change from a constant current charge region to a constant voltage charge region. As the batteries become fully charged, the output current decreases. A continuous constant float voltage will be supplied to the batteries to maintain their charge.

Another feature of the charger is temperature compensation, which keeps the batteries from getting under- or over-charged. **TEMPERATURE COMPENSATION ONLY OCCURS WHEN USING A TEMPERATURE PROBE.** The red LED on the front of the charger will be off when using a functional temperature probe. If the LED is on, either a temperature probe is not being used, or the

The control module has a temperature compensation range between 32°F and 95°F ( 0°C and 35°C) that does not allow charger voltage to increase or decrease beyond the calculated values.

#### Example 1:

If a 13.38 volt battery is charging and the temperature increases to 95°F, then the output voltage decreases to 13.06 volts.

$$13.38 - .018 (95^{\circ}\text{F} - 77^{\circ}\text{F}) = 13.06$$

#### Example 2:

If a 14.50 volt battery is charging and the temperature increases to 95°F, then the output voltage decreases to 14.15 volts.

$$14.50 - .0195 (95^{\circ}\text{F} - 77^{\circ}\text{F}) = 14.15$$


#### Example 3:


If 15.61 volt batteries are charging and the temperature decreases to 32°F, the output voltage increases to 16.56 volts.

$$15.61 - .021 (32^{\circ}\text{F} - 77^{\circ}\text{F}) = 16.56$$

### 4. RECEIVING AND INSTALLING THE CHARGER

Proper installation of the charger is important in order to achieve good charger performance and to prevent damage to the charger and batteries. When a charger is received, a check for possible in-transit damage should be made. If any damage is found, it should be reported as a claim to the carrier. To permit free air flow for convection cooling, allow three inches (3") minimum between the charger sides and other equipment and four inches (4") minimum on top of the charger.

 **WARNING: NEVER PLACE ANYTHING ON TOP OF THE CHARGER WHILE OPERATING. DAMAGE TO THE CHARGER OR BATTERIES COULD OCCUR.**

 **WARNING: THE CHARGER MUST BE SET UP FOR THE PROPER USER SPECIFICATIONS BEFORE STARTING THE INITIAL CHARGE.**

The 600V Meters (used with the charger) are

and ground binding posts (A.A.R.) located on the front of the charger. Open the small door cover on the front of the charger by pulling out on the push tabs. Connect the AC power terminals on the two posts on the right, as marked on the panel behind the posts. Connect the AC ground to the terminal lug provided.

**⚠ WARNING: FAILURE TO PROPERLY CONNECT THE AC VOLTAGE CONDUCTORS COULD CAUSE SERIOUS DAMAGE TO THE CHARGER. BE SURE TO SET THE VOLTAGE SELECTION SWITCH ON THE FRONT OF THE CHARGER TO THE PROPER POSITION.**

**⚠ WARNING: DO NOT OPERATE THE CHARGER WITHOUT PROPER GROUNDING. IMPROPER GROUNDING CAN RESULT IN THE RISK OF AN ELECTRIC SHOCK.**

## 6. DC OUTPUT

The DC output wires, 4 Awg or larger, are connected on the two left-most binding posts as marked on the panel behind the posts (positive on the left and negative on the right). The DC cables should have quarter-inch ( $\frac{1}{4}$ ) ring terminals for connecting them to the binding posts. Check to make sure the polarity of the DC output wires are the same as those connected to the battery. The charger will not operate in a reversed polarity condition. **WHEN CONNECTING THE DC WIRES TO THE CHARGER WITH THE AC POWER DISCONNECTED, A SPARK MAY OCCUR.** This is caused by the output capacitors being charged by the batteries. If the DC polarity is reversed, a circuit breaker will protect the charger from internal damage. Correct the reversed wires and reset the circuit breaker. Close the door cover on the front of the charger after tightening all of the binding post nuts.

**⚠ WARNING: DO NOT TOUCH THE CHARGER'S TERMINALS OR AN ELECTRICAL SHOCK COULD OCCUR. A VOLTAGE IS PRESENT ON THE DC TERMINALS EVEN**

temperature sensor sealed either in a terminal or small metal box.

**⚠ WARNING: IT IS IMPORTANT TO MOUNT THE TEMPERATURE PROBE ON THE BATTERIES FOR PROPER TEMPERATURE COMPENSATION. IF THIS CANNOT BE DONE, LOCATE THE PROBE AS LOW AS POSSIBLE IN THE BUNGALOW OR CABINET.**

### Terminal-Type Probe

The terminal-type probe should be attached to the negative (-) battery post near the center of the battery pack. If the threaded stud is long enough above the battery jumper nut, attach the probe with another nut. Torque this nut to proper specifications. If the stud is too short, the nut holding the jumper wire will need to be removed. Open or remove the load and charging circuits to the batteries. Remove the nut holding the jumper and add the probe, then torque the nut to the proper specifications. Then close or connect the load and charging circuits back to the batteries.

### Box-Type Probe

The metal box has a high performance contact adhesive tape for attaching it to the battery. To attach, clean a spot for the probe on the middle battery about three inches (3") down from the top of the battery. Make sure the spot is free of all dirt and oil or the probe will not adhere properly. For proper adhesion, the battery surface must be cleaned with isopropyl alcohol. Ideal application temperature range is between 70 and 100°F. Initial application to surfaces at temperatures below 50°F is not recommended. Under cold conditions, the surface should be warmed before application. Once properly applied, low temperatures will not affect the bond strength.

Remove the adhesive's protective strip and press the probe firmly against the battery to ensure good adhesion.

**Securely fasten the temperature probe cable to protect the probe from being torn from the battery.** Secure the probe's cable to a fixed object to ensure the probe will not be pulled loose. Use a

the batteries to the voltage specified on the switches. To set the switches, use a small screwdriver and turn the switch so that the arrowhead on the slot is pointing to the desired number. Set the switches in the following manner: If the desired battery voltage is 13.38 volts, set the top switch to 3, the middle switch to 3, and the bottom switch to 8 (see the figure 8.1). This will provide you with the proper charging voltage. The tens digit is always a one (1) and cannot be changed. **BE SURE EACH SWITCH IS SET ON A NUMBER AND NOT BETWEEN NUMBERS.** If a switch is set between numbers, the output current will go to zero and the yellow charging LED will flash.

The charger does not have a power switch. When the AC power is applied to the charger, the DC output will start and the yellow LED will be on. To turn off the charger, disconnect the AC power source.

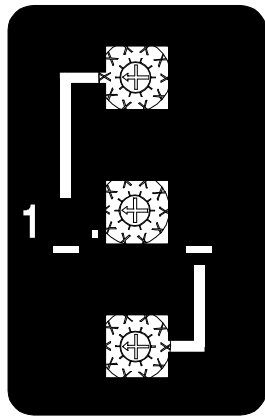


Figure 8.1

## 9. MAINTENANCE

The battery charger requires minimal maintenance. It should be kept clean and all connections are to be periodically tightened. **BE SURE THE CHASSIS IS SECURELY GROUNDED.** If any problem cannot be resolved, consult the nearest NRS service agent.

## 10. SERVICING

If the battery charger operates improperly, follow the

- c. Check the fuses to make sure they have not blown.
- d. Check the circuit breaker to see if it has opened and reset it, if necessary.
- e. Check the polarity between DC output and the battery and make sure their connections are tight.
- f. Remove the small cover on the front of the charger and make sure all of the binding posts nuts are tight.
- g. If the steps above do not solve the problem, contact your local NRS service agent.

## 11. CHARGER SPECIFICATIONS

### AC INPUT VOLTAGE:

115 Vac (108-128) or 230 Vac (216-256)

### AC INPUT CURRENT:

17 amps for 115 Vac (full power)

9 amps for 230 Vac (full power)

### AC INPUT FREQUENCY:

50/60/100 Hertz (single phase)

### AC LINE REGULATION:

For a constant output current at 2.23 volts/cell

17% for 6 cells

### AC FUSES:

15 Amp slow blow

### POWER FACTOR:

Percentage at 60.0 amps DC current

61% at 13.38 volts

79.5% at 17.0 volts

### DC OUTPUT:

Voltage range 10.00 – 17.00 ± 0.1 volts

Current Maximum 60.0 ± 1.5 amps

### DC OUTPUT RIPPLE (at battery terminals):

0.6 V p-p at 60.0 amps, 12.0 volts

0.1 V p-p at 2.0 amps, 13.38 volts

### TEMPERATURE COMPENSATION:

## 12. PARTS LIST

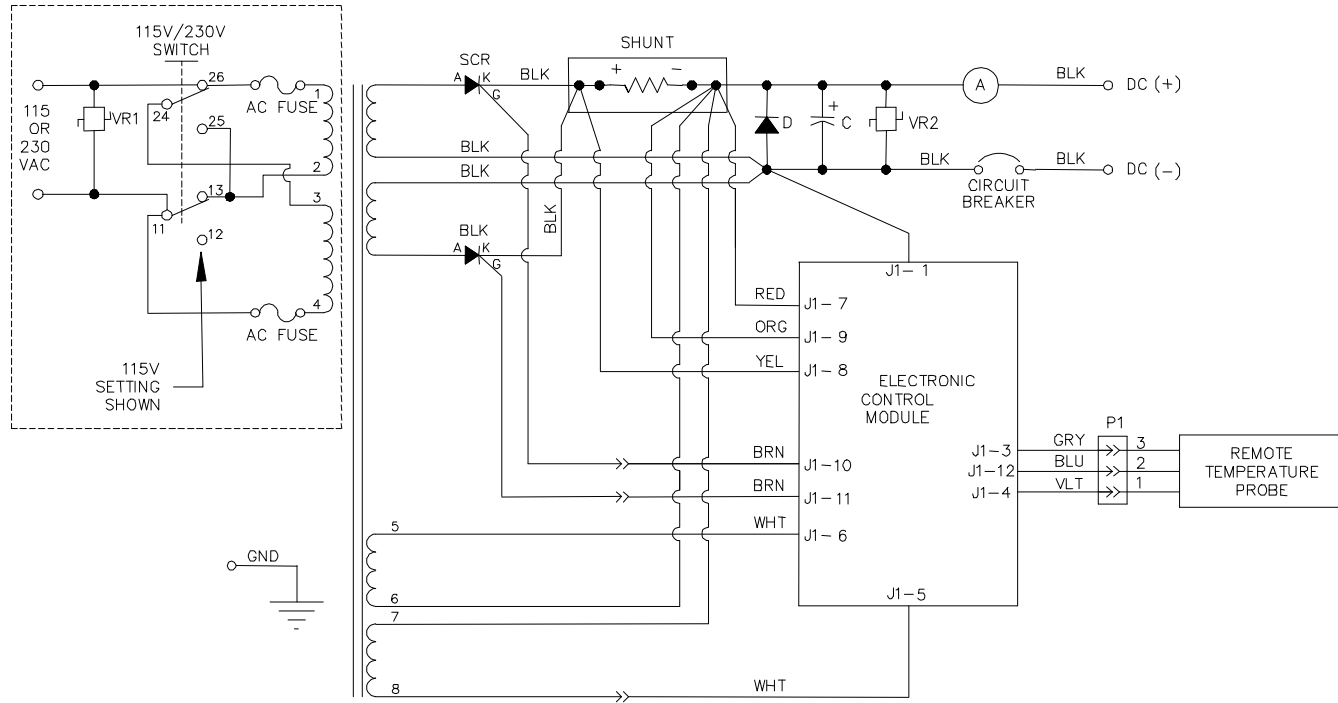
The following is a list of parts found in the NRS Model ELC 12/60-D. When replacing a part, USE ONLY ORIGINAL FACTORY REPLACEMENT PARTS of the correct size and rating.

<b>PART NO.</b>	<b>QTY.</b>	<b>DESCRIPTION</b>
22605S	1	TRANSFORMER ASSEMBLY (ELC 12/60-D)
31509S	1	CONTROL MODULE (W/ ELECTRONIC BOARD #22655)
31104S	1	CONTROL MODULE MOUNT
31458S	1	CONTROL CABLE
31933S	1	BASE ASSEMBLY (ELC 12/60-D)
31932S	1	COVER ASSEMBLY
31939S	1	PANEL ASSEMBLY FRONT
31942S	1	PANEL ASSEMBLY BACK
31931S	1	PANEL SIDE LEFT
31929S	1	PANEL SIDE RIGHT
32207S	1	TAP STRIP ASSEMBLY
05322S	1	FUSEHOLDER ASSEMBLY
16499S	1	FUSE, 15 AMP
32201S	1	CIRCUIT BREAKER 100 AMP
31928S	1	BRACKET CIRCUIT BREAKER
31457S	1	AC SWITCH ASSEMBLY (ELC 12/60-D ONLY)
14947S	1	SHUNT ASSEMBLY
19052S	1	AMMETER, 75 AMP
14123S	1	TEMPERATURE TRANSDUCER, 10' (BOX W/ ADHESIVE)
14124S	1	TEMPERATURE TRANSDUCER, 20' (BOX W/ ADHESIVE)
14126S	1	TEMPERATURE TRANSDUCER, 30' (BOX W/ ADHESIVE)
29741S	1	TEMPERATURE TRANSDUCER, 10' (W/ TERMINAL)
29742S	1	TEMPERATURE TRANSDUCER, 30' (W/ TERMINAL)
11232S	4	HEATSINK
23168S	1	THYRISTOR ASSEMBLY, 80 AMP 600VDC SCR 17"
23167S	1	THYRISTOR ASSEMBLY 80 AMP 600VDC SCR 5"
32206S	1	CAP ASSEMBLY, W/ DIODE ASSEMBLY( 2 CAPACITORS)
32199S	1	OUTPUT CAPACITOR, 40,000 UF, 35V
14786S	1	DIODE ASSEMBLY, D
14759S	1	VARISTOR ASSEMBLY, VR2, 130V
31309S	1	VARISTOR ASSEMBLY, AC, 320V
14197S	4	BUSHING, 1"
31301S	1	LATCH DOOR BASE
31302S	1	LATCH DOOR STUD

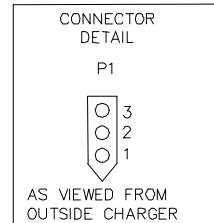
The adhesive used on the temperature probes (#s 14123S, 14124S, and 14126S) is 3M Scotch #Y-9473, which is a thermally conducting, two-sided adhesive tape. If a replacement adhesive is needed, use this type of tape or an equivalent adhesive.

### 13. WIRING DIAGRAM

ELC-12/60-D



J1-1	BLACK	- BATTERY
J1-2		NOT USED
J1-3	GRAY	TEMP PROBE (-)
J1-4	VIOLET	TEMP PROBE (+)
J1-5	WHITE	AC XFRMR #8
J1-6	WHITE	AC XFRMR #5
J1-7	RED	+ BATTERY
J1-8	YELLOW	SHUNT +
J1-9	ORANGE	SHUNT -
J1-10	BROWN	SCR
J1-11	BROWN	SCR
J1-12	BLUE	TEMP PROBE SENSE



C	OUTPUT CAPACITOR
D	DIODE ASSEMBLY
VR1	VARIATOR
VR2	VARIATOR

L2120B42